



SPECIFICATION FOR AUTOMOTIVE SPEAKER

TOTAL PAGE 08

www.be-star.com

RoHS

Customer		Model Name	BLS64-11B-08H19.4W105J-02
Customer P/N		Product No.	120121
Date	26 Apr. 2018	Issue No.	BS/TES01.1811A
Page	01 of 08	Issue Date	2018/04/26

Approval:

- 1.Characteristics
- 2.Bill of Material
- 3.Drawing
- 4.Reliability Test
- 5.Packing
- 6.History Change Record

Drawn by	Checked by	Approved by	Customer approved
杨利平	徐 波	赵 峥	

BESTAR HOLDING CO.,LTD

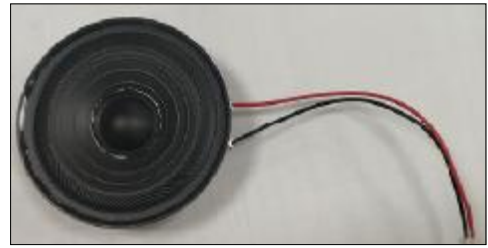
No.199 HuangHe West Road,New district,ChangZhou,JiangSu Province,P.R.China

Tel: +86 519 88222567 **Fax:** +86 519 88222551

E-mail:wu@be-star.com **<http://www.be-star.com>**

BLS64-11B-08H19.4W105J-02

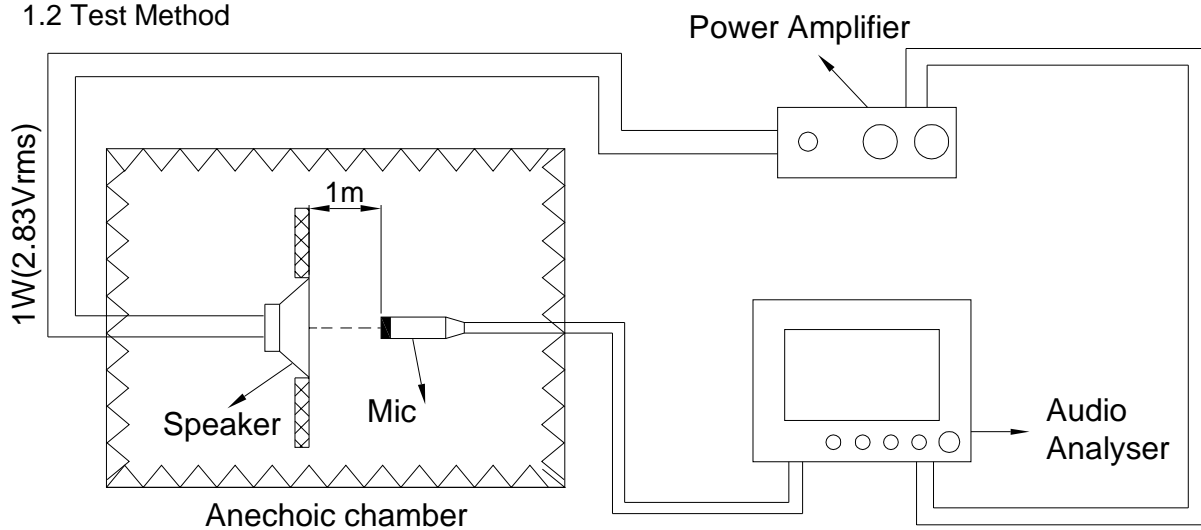
1.Characteristics



1.1 Electrical and Mechanical Characteristics

No.	Item	Specifications
1.	Impedance at 1KHz	$8 \pm 15\% \Omega$
2.	Resonance frequency	$300 \pm 20\% \text{Hz}$
3.	Operating frequency range	F0...10K Hz
4.	Rated input power	2W
5.	Maximum input power	3W
6.	Buzz & Rattle(at sine wave4V)	must be normal
7.	SPL (1W/1M)	$80 \pm 3 \text{dB}$ at 1000Hz
8.	THD (1W/1000Hz)	MAX 5%
9.	Polarity	Positive voltage to (+), the diaphragm move forward
10.	Operating temperature	$-40 \dots +85^\circ \text{C}$
11.	Storage temperature	$-40 \dots +85^\circ \text{C}$

1.2 Test Method

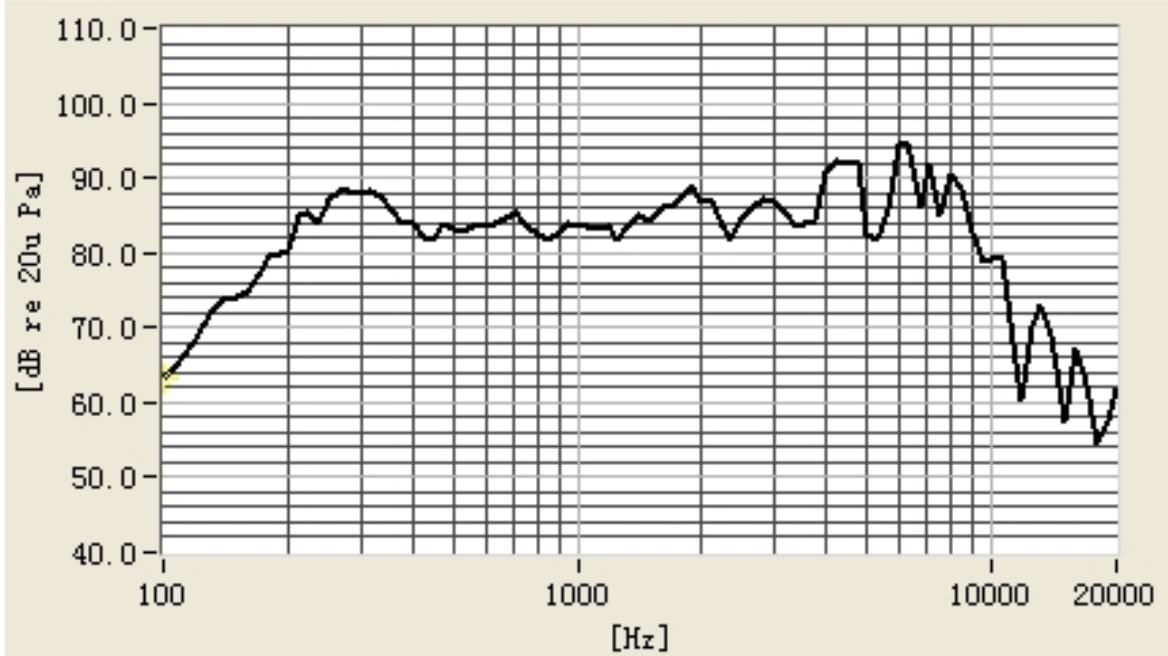


This print and information there in are proprietary to BeStar Holding Co., Ltd. and shall not be used in whole or in part without its written content

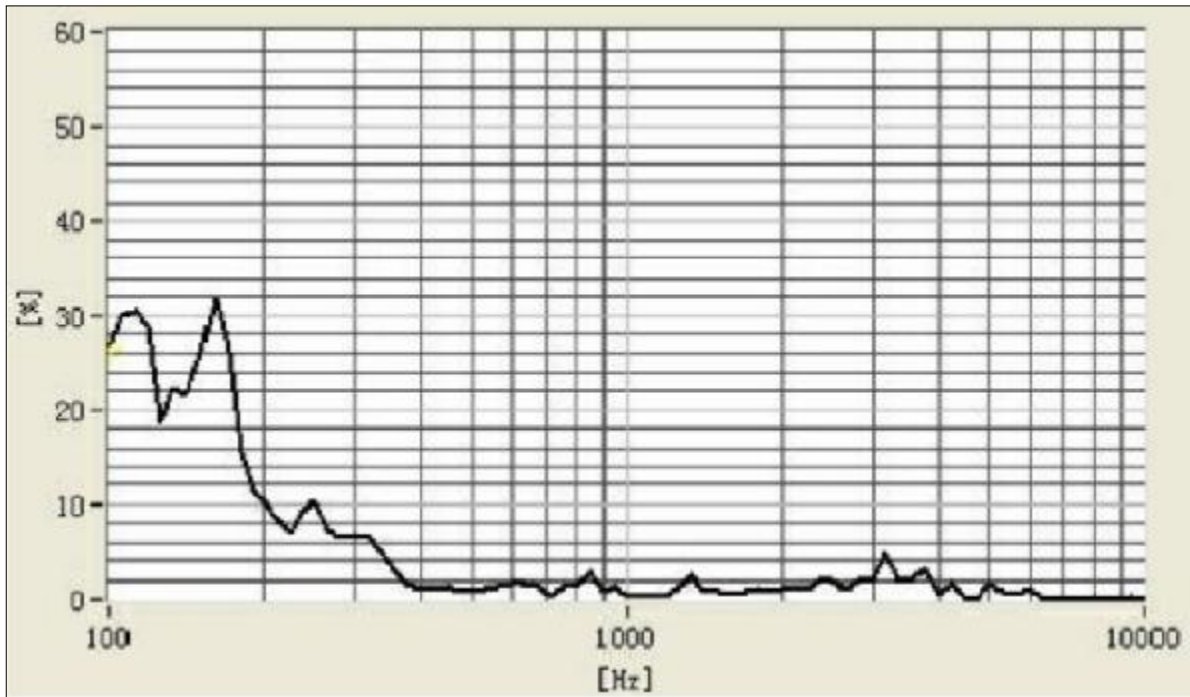
				Date:	2018/04/26	BLS64-11B-08H19.4W105J-02
				Drawn by:	杨利平	
A	2018/04/26	杨利平		Checked by:	徐波	Speaker
Rev.	Date	Drawn	Note	Approved by:	赵峥	
BESTAR HOLDING CO.,LTD						DRG NO: BS/TES01.1811A Page:02 of 08

BLS64-11B-08H19.4W105J-02

1.3 Frequency Response Curve (only for reference)



1.4 Total Harmonic Distortion Curve (only for reference)

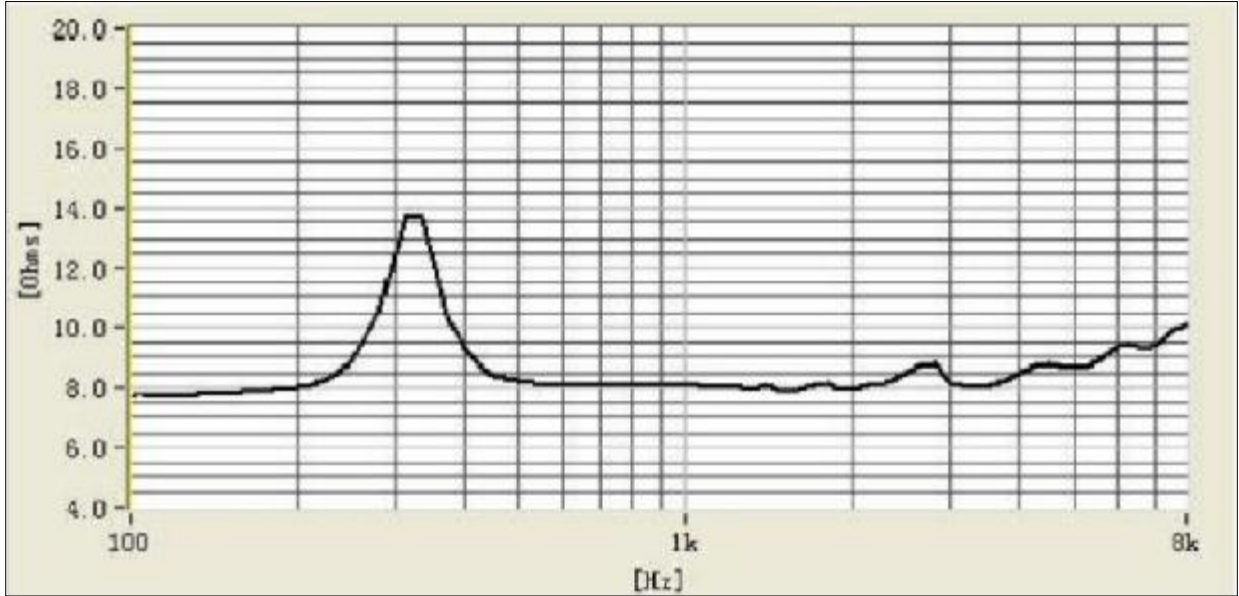


This print and information there in are proprietary to BeStar Holding Co., Ltd. and shall not be used in whole or in part without its written content

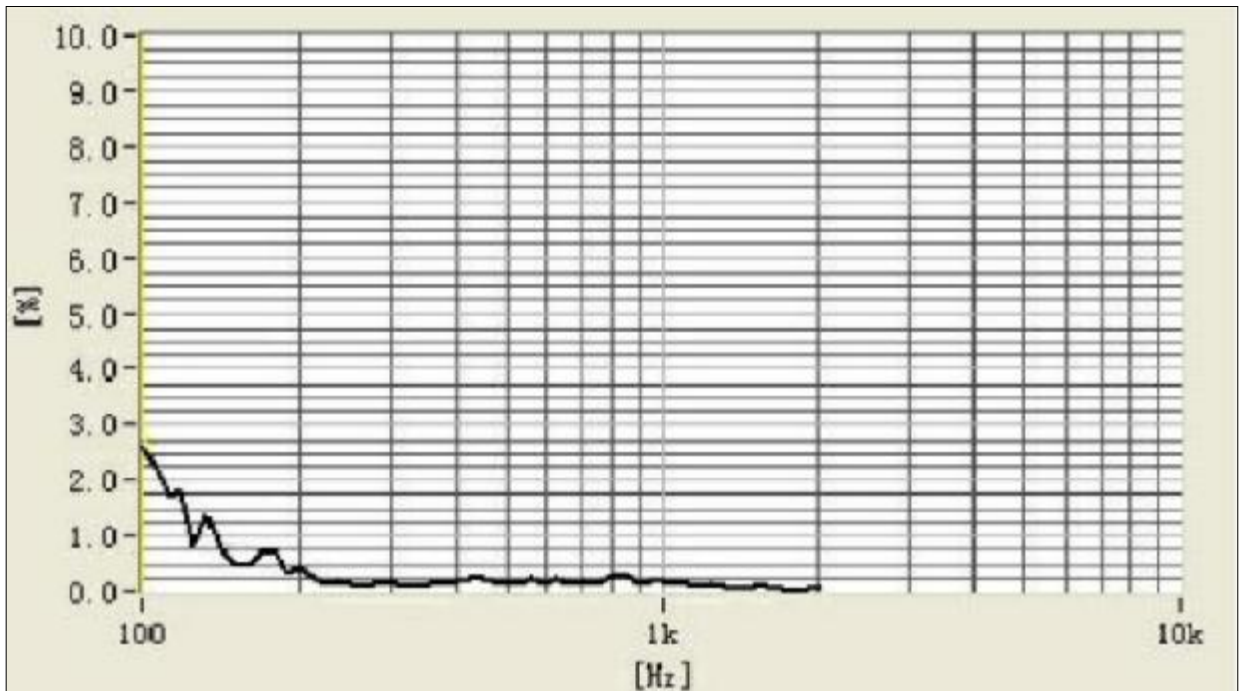
				Date:	2018/04/26	BLS64-11B-08H19.4W105J-02	
				Drawn by:	杨利平		
A	2018/04/26	杨利平		Checked by:	徐波	Speaker	
Rev.	Date	Drawn	Note	Approved by:	赵峥		
BESTAR HOLDING CO.,LTD						DRG NO: BS/TES01.1811A	Page:03 of 08
www.be-star.com wu@be-star.com							

BLS64-11B-08H19.4W105J-02

1.5 Impedance Response Curve (only for reference)



1.6 Rub&Buzz -Active Curve(only for reference)

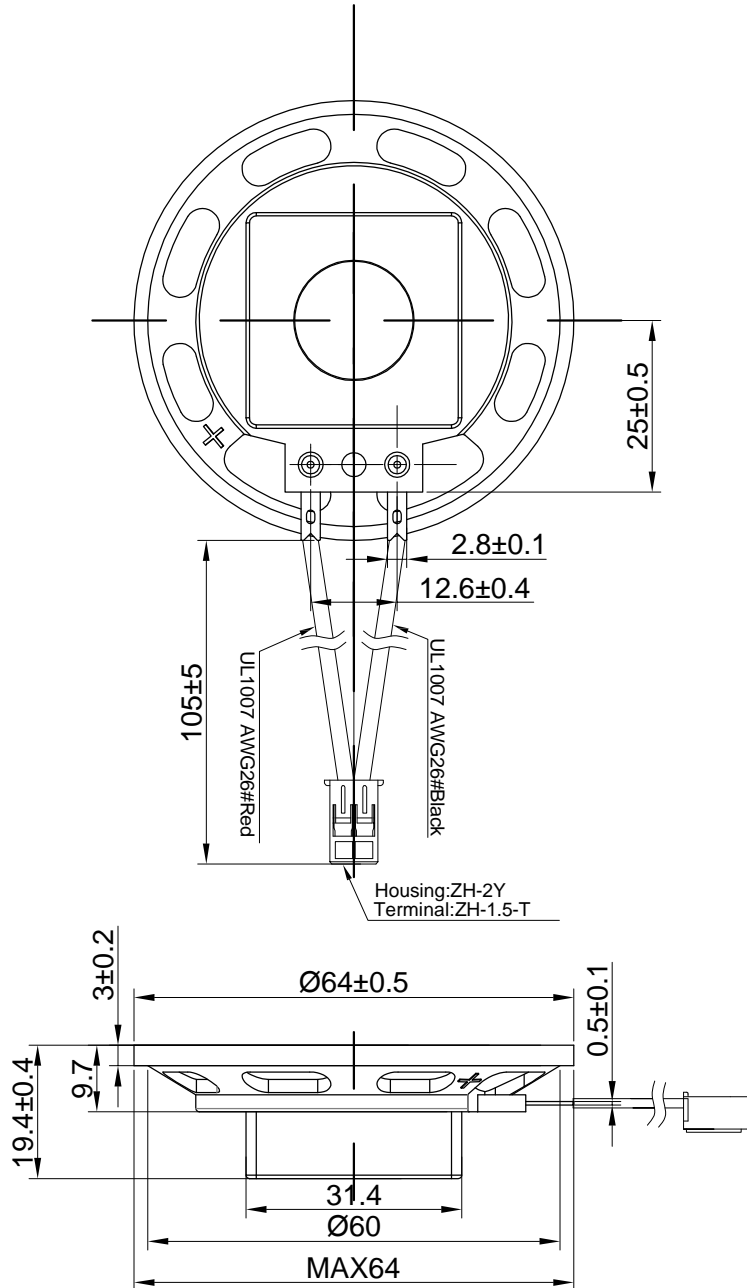


This print and information there in are proprietary to BeStar Holding Co., Ltd. and shall not be used in whole or in part without its written content

				Date:	2018/04/26	BLS64-11B-08H19.4W105J-02	
				Drawn by:	杨利平		
A	2018/04/26	杨利平		Checked by:	徐波	Speaker	
Rev.	Date	Drawn	Note	Approved by:	赵 崢		
BESTAR HOLDING CO.,LTD						DRG NO: BS/TES01.1811A	Page:04 of 08
www.be-star.com wu@be-star.com							

BLS64-11B-08H19.4W105J-02

2.Drawing



Unit:mm
Tolerance:±0.5

This print and information there in are proprietary to BeStar Holding Co., Ltd. and shall not be used in whole or in part without its written content

				Date:	2018/04/26	BLS64-11B-08H19.4W105J-02
				Drawn by:	杨利平	
A	2018/04/26	杨利平		Checked by:	徐波	Speaker
Rev.	Date	Drawn	Note	Approved by:	赵峥	
BESTAR HOLDING CO.,LTD						DRG NO: BS/TES01.1811A
www.be-star.com wu@be-star.com						Page:05 of 08

BLS64-11B-08H19.4W105J-02

3. Reliability Test

- 3.1 Load test
 - Input Power 2W,pink noise
 - Duration 200hrs
- 3.2 Heat test
 - Temperature $+85 \pm 2^{\circ}\text{C}$
 - Duration 200hrs
- 3.3 Cold test
 - Temperature $-40 \pm 3^{\circ}\text{C}$
 - Duration 200hrs
- 3.4 Temperature change(shock)
 - Low Temperature $-40 \pm 3^{\circ}\text{C}$
 - High Temperature $+85 \pm 2^{\circ}\text{C}$
 - Dwell time each temperature 30min
 - Transfer time from lower to upper temperature < 10s
 - Cycles 100
- 3.5 Moisture Test
 - Temperature $+40 \pm 2^{\circ}\text{C}$
 - Humidity $92 \pm 2\%(\text{RH})$
 - Duration 200hrs
- 3.6 Drop test
 - Surface(floor) concrete or steel
 - Height 75cm
 - Direction X,Y&Z 3axes

After the test,all electronic and acoustic characteristic should be satisfied with the specification. SPL: Deviation is of $\pm 2\text{dB}$ of initial value.

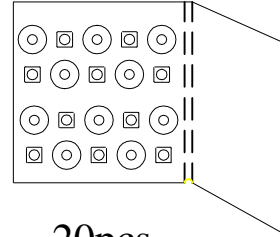
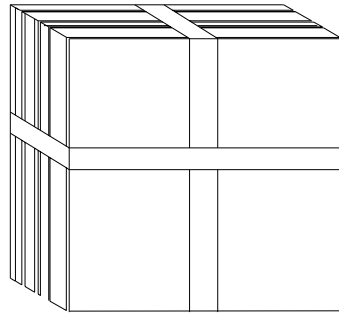
This print and information there in are proprietary to BeStar Holding Co., Ltd. and shall not be used in whole or in part without its written content

				Date:	2018/04/26	BLS64-11B-08H19.4W105J-02	
				Drawn by:	杨利平		
A	2018/04/26	杨利平		Checked by:	徐波	Speaker	
Rev.	Date	Drawn	Note	Approved by:	赵峥		
BESTAR HOLDING CO.,LTD						DRG NO: BS/TES01.1811A	Page:06 of 08
				www.be-star.com wu@be-star.com			

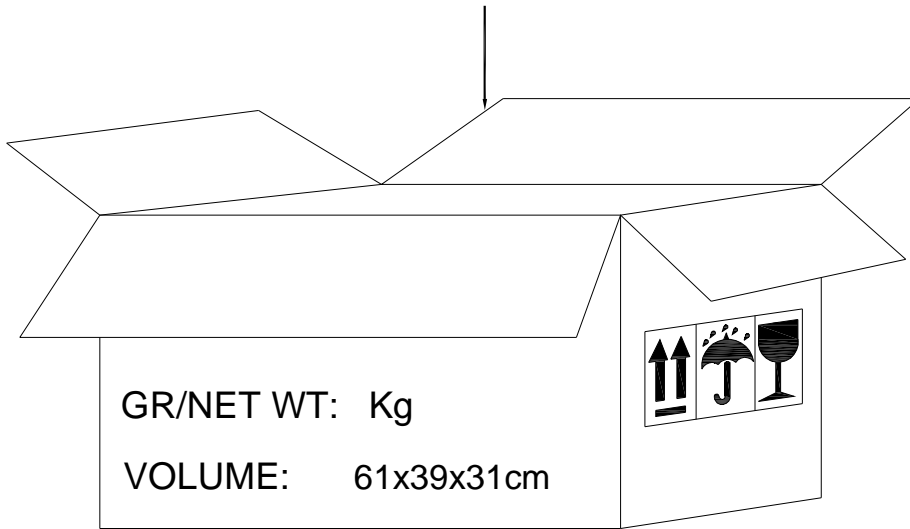
BLS64-11B-08H19.4W105J-02

4. Packing

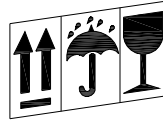
4.1 Packing Drawing



20pcs



GR/NET WT: Kg
VOLUME: 61x39x31cm



4.2 Packing quantity

- 1)20pcs per board,
- 2)20pcs board per carton,
- 3)400pcs per carton
- 4)carton size: 61x39x31cm

This print and information there in are proprietary to BeStar Holding Co., Ltd. and shall not be used in whole or in part without its written content

				Date:	2018/04/26	BLS64-11B-08H19.4W105J-02	
				Drawn by:	杨利平		
A	2018/04/26	杨利平		Checked by:	徐波	Speaker	
Rev.	Date	Drawn	Note	Approved by:	赵峥		
BESTAR HOLDING CO.,LTD						DRG NO: BS/TES01.1811A	Page:07 of 08
www.be-star.com wu@be-star.com							

