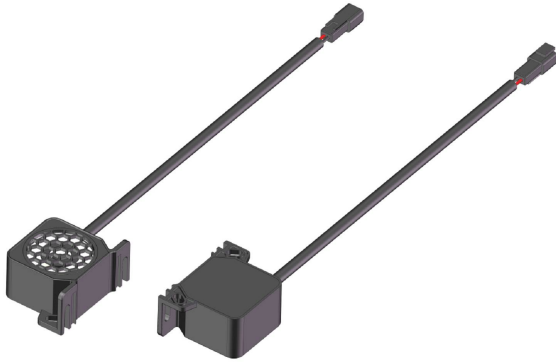


Speaker Alarm

Product No. 116851

BUS107PW-DT

Issue No. BS/TEA01.433



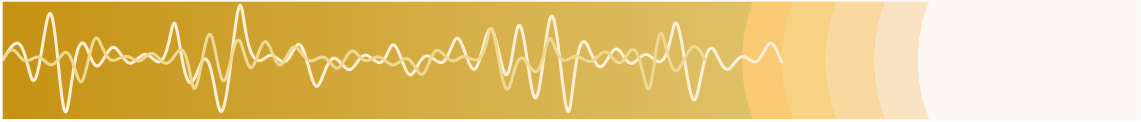
Features:

- IP67 waterproof rating
- Loud sound output
- RoHS

BESTAR Holdings Co., Ltd.

www.be-star.com | info@be-star.com





Content:

1 Characteristics	3-4
1.1 Technical terms	3
1.2 Test method	4
2 Part List.....	5
3 Dimension	6
4 Reliability Test	7~9
5 Packing	10
6 History change record	11
7 Important Notice	12

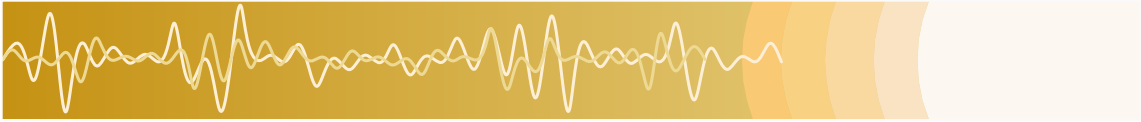
REFERENCE

BESTAR

BESTAR

REFERENCE



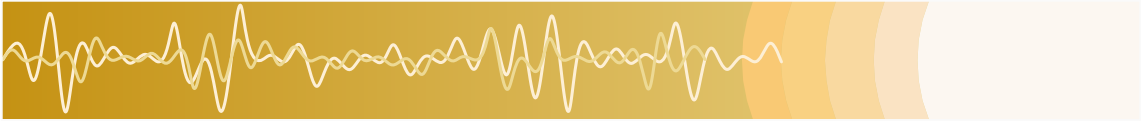


1. Characteristic

1.1 Technical terms

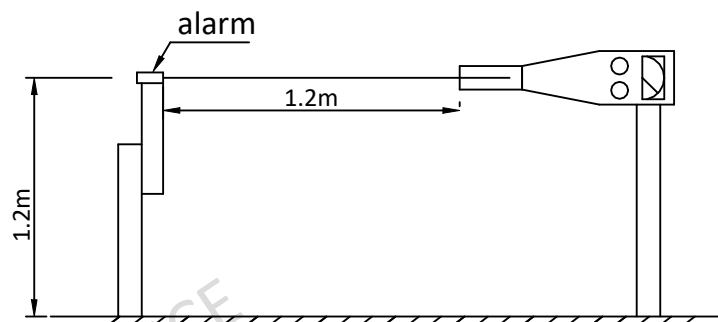
1. Rated Voltage	14/28VDC
2. Operating Voltage	9-32VDC
3. Current Consumption	≤1A
4. SPL at 1.2m	107±4dB
5. Resonant Frequency	960-1440Hz
6. Tone	Pulse tone
7. ON-OFF-cycles	60C/M±10
8. Temperature Range	-40~+85℃
9. Storage Range	-50~+85℃
10. Housing material	PA66+15%GF
11. IP-rating	IP67
12. Housing color	Black

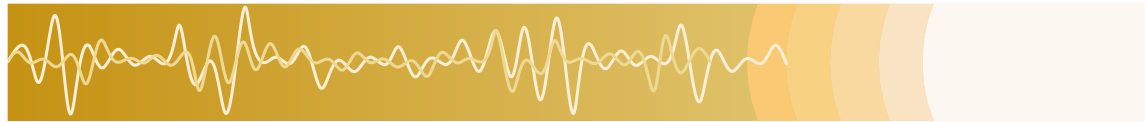




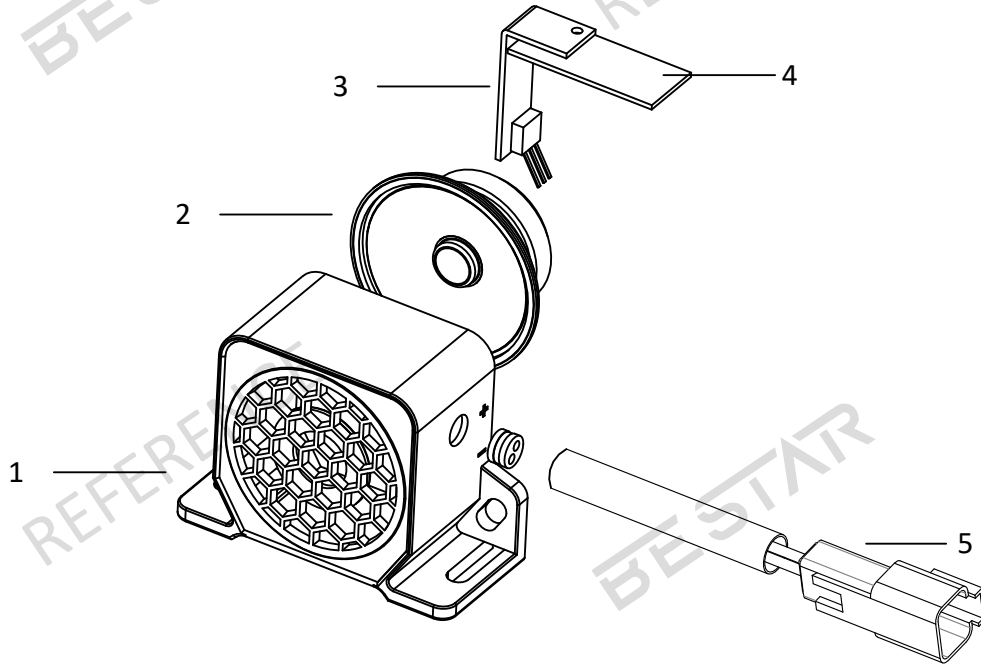
1.2 Test method:

The alarm is located in a free field or an equivalent fully anechoic room. The microphone is directed toward the alarm sound output opening along the zero degree axis and at the distance specified by the test requirement.





2.Part List



5. Connector with wire

4. PCBA

3. Heat sink

2. Speaker

1. Housing

2-pin Deutsch

FR-4

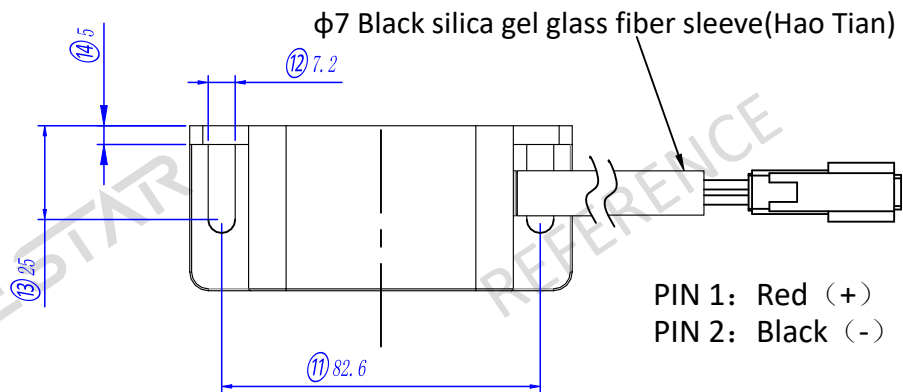
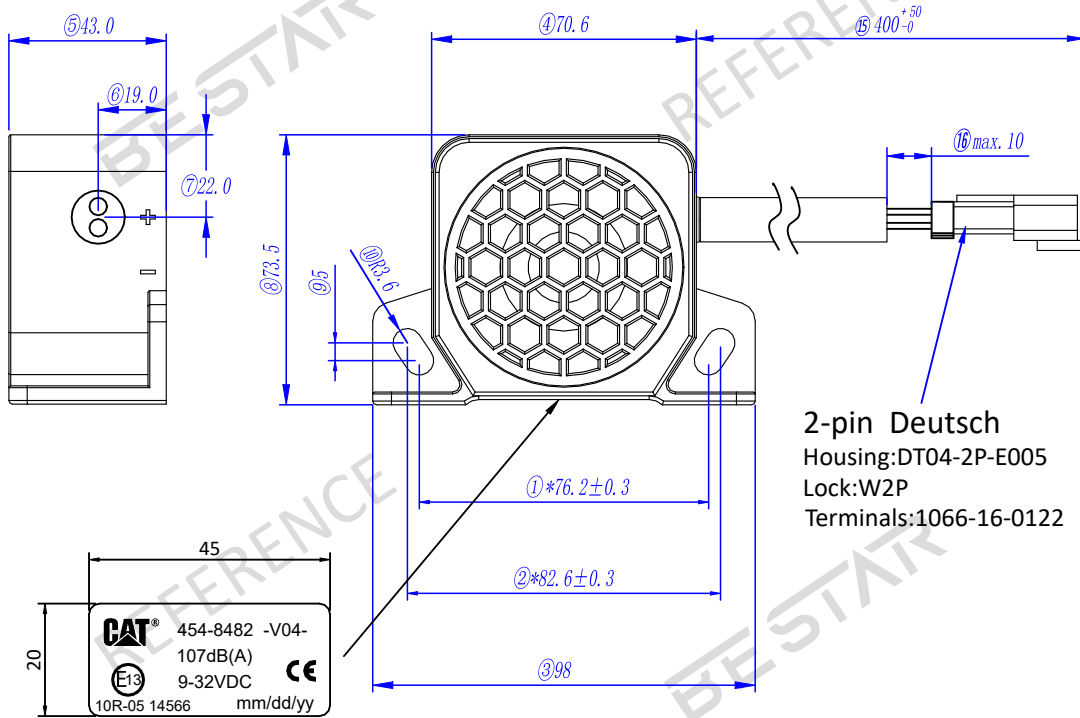
Aluminum

Moving-coil

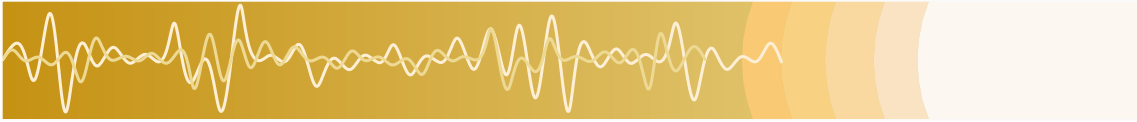
PA66+15%GF



3.Dimension



Tolerance:±0.5mm



4. Reliability test

4.1 Temperature Test

4.1.1 Low Temperature, System Voltage Extremes (Test standard: SAE J994 7.1)

Rated Voltage	Extreme Low System Voltage : 9VDC Extreme High System Voltage : 32VDC Nominal System Voltage : 14VDC
Duration	2hrs
Temperature	-40°C±3°C

4.1.2 High Temperature, System Voltage Extremes (Test standard: SAE J994 7.2)

Rated Voltage	Extreme Low System Voltage : 9VDC Extreme High System Voltage : 32VDC Nominal System Voltage : 14VDC
Duration	2hrs
Temperature	+85°C±3°C

4.2 Rain Test (Test standard: SAE J994 7.3)

Precipitation rate	2.5(+1.6/-0)mm/min
Duration	Min.2hrs
Direction	Delivered at an angle of 45 degrees from a nozzle with a solid cone spray and Subject all exposed sides of the alarm item to simulated blown rain.

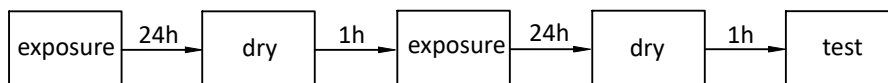
With a solid cone spray and Subject all exposed sides of the alarm item to simulated blown rain.

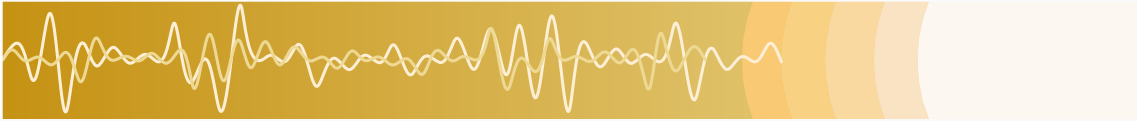
4.3 Vibration Test

Vibration	15.32Grms,24-2kHz	W/power on or W/O
-----------	-------------------	-------------------

4.4 Corrosion Test (Test standard: SAE J994 7.5)

Duration	50hrs(NaCl 5%)
----------	----------------





4. Reliability test

4.5 High Pressure Hot Water Test (Test standard: SAE J994 7.6)

Hot water temperature	Min. + 85°C
Pressure	Min.6.9MPa
Flow rate	Min.18.9L/min
Direction	15 degree spray angle and distance alarm sound opening 300 mm Spray and drain cycle is a cycle . Spray needs 10s and drain cycle needs 30s.A total of 50 cycles.

4.6 Dust Test (Test standard: SAE J994 7.7)

Dust	50% fine and 50% coarse particles
Direction and Method	compress air or fan blower blasts in a downward direction to diffuse the dust uniformly throughout the cube
Duration	5hrs (Among them every 15min±0.5min for approximately a 2 s period compress air or fan blower blasts in a downward direction)

4.7 Life test (Test standard: SAE J994 8)

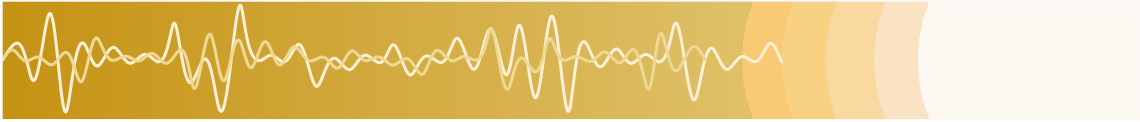
4.7.1 Endurance Test at Low Temperature (Test standard: SAE J994 8.1)

Power	30s ON then 30s OFF
Rated voltage	9±0.2 VDC
Temperature	-40°C±3°C
Duration	4hrs

4.7.2 Endurance Test at High Temperature (Test standard: SAE J994 8.2)

Rated voltage	32±0.2 VDC
Temperature	+85°C±3°C
Duration	4hrs





4. Reliability test

4.7.3 Room Temperature Endurance Test (Test standard: SAE J994 8.3)

Rated voltage	14±0.2 VDC
Temperature	+25°C±11°C
Duration	100hrs

Notice: All specification must be satisfied in this condition.

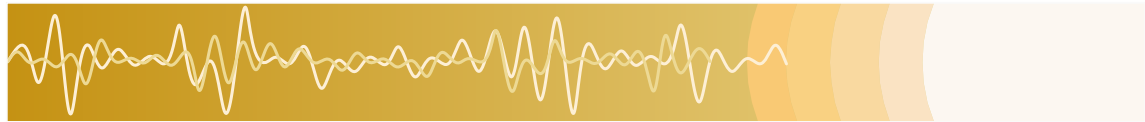
REFERENCE

BESTAR

BESTAR

REFERENCE





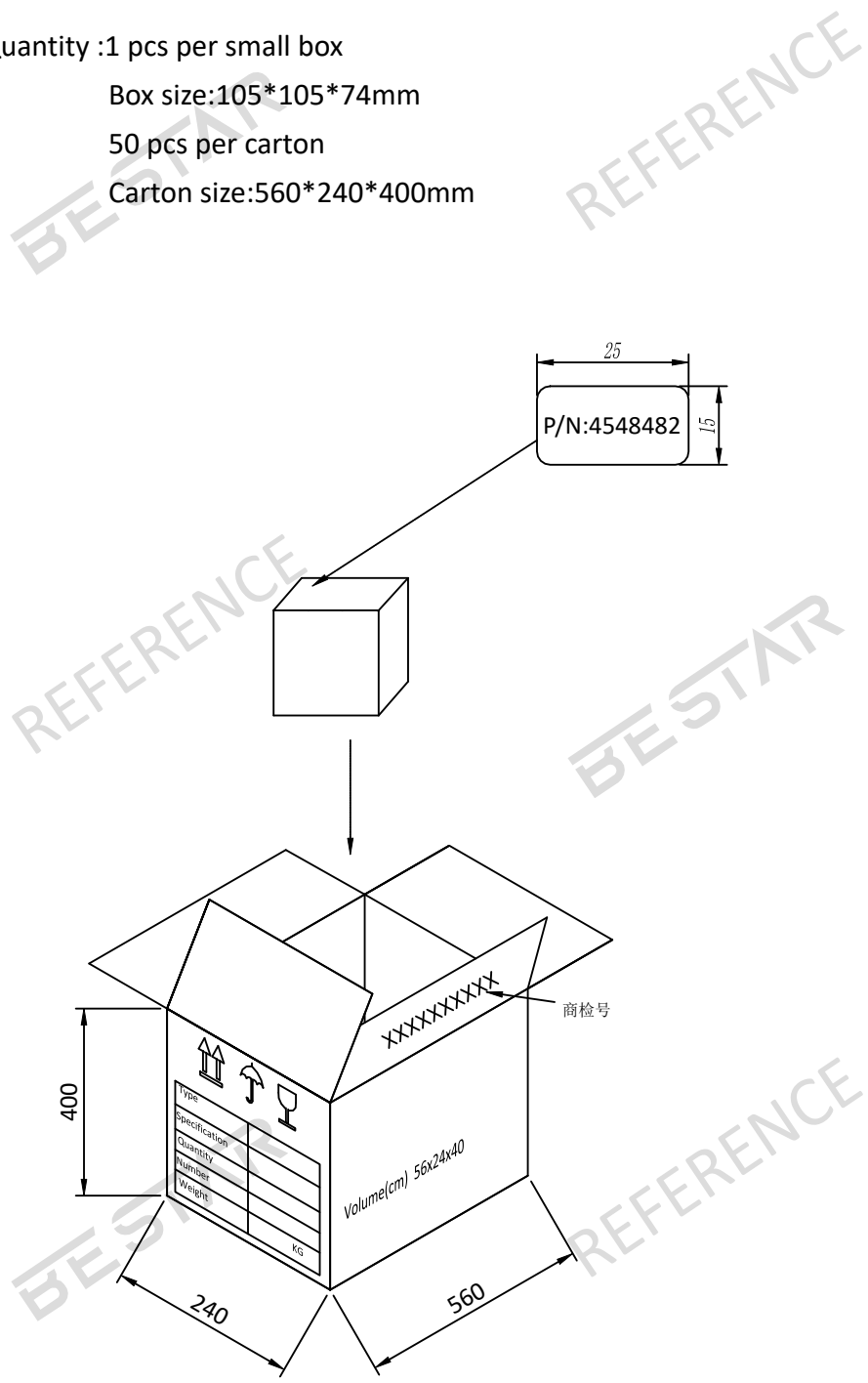
5. Packing

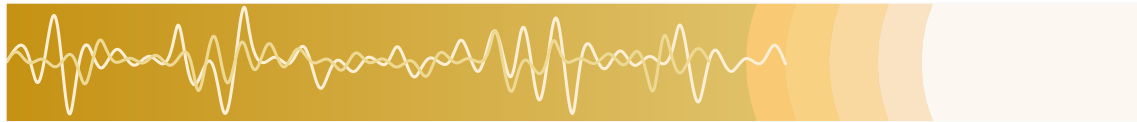
Packing Quantity :1 pcs per small box

Box size:105*105*74mm

50 pcs per carton

Carton size:560*240*400mm

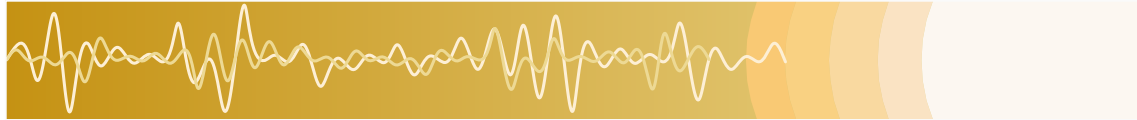




6. History change record

Version	Change Items	Date	Drawn	Checked	Approved
A	First Edition	2013.01.09	Claire.Fu	Xiaodong.Chen	Richard.Cheng
B	Correct the dimension of housing	2013.07.15	Claire.Fu	Xiaodong.Chen	Richard.Cheng
C	Change the customer P/N	2015.04.20	Claire.Fu	Xiaodong.Chen	Richard.Cheng
D	Update the housing	2016.09.06	Chloe.Gong	Weihua.Zhu	Richard.Cheng
E	Change vibration condition from 6hours to 15.32Grms	2016.09.29	Chloe.Gong	Weihua.Zhu	Richard.Cheng
F	Change the label of products	2018.01.17	Ze.Xuan	Weihua.Zhu	Richard.Cheng
G	Change the label of products	2018.11.13	Claire.Fu	Chloe.Gong	Richard.Cheng
G1	Update format	2020.05.05	Claire.Fu	Chloe.Gong	Richard.Cheng
G2	Update plug wire and product label Update specification template	2020.08.07	Micca.Chen	Claire.Fu	Simon.Zhao
G3	Change the rubber plug and update the product label	2021.02.10	Micca.Chen	Claire.Fu	Simon.Zhao
G4	Change the color of the carton packing; Change the carton label	2022.07.18	Kaylee.Zhuang	Claire.Fu	Richard.Cheng





7. Important Notice

7.1 The products mustn't be washed

7.2 Store Condition (Packaging)

The products should be stored in the room, where the temperature/humidity is stable. And avoid such places where there are large temperature changes. Please store the products at the following conditions:

Temperature: -10 to + 40 °C Humidity: 15 to 85% R.H.

7.3 Expire Date on Storage

Expire date (Shelf life) of the products is six months after delivered under the conditions of a sealed and an unopened package. Please use the products within six months after delivered.

If you store the products for a long time (more than six months), use carefully because the products may be degraded in the solderability and/or rusty. Please confirm solderability and characteristics for the products regularly.

7.4 Notice on Product Storage

- (1) Please do not store the products in a chemical atmosphere (Acids, Alkali, Bases, Organic gas, Sulfides and so on), because the characteristics may be reduced at quality, and/or be degraded in the solderability due to the storage in a chemical atmosphere.
- (2) Please use the products immediately after the package is opened, because the characteristics may be reduced at quality, and/or be degraded in the solderability due to storage under the poor condition.

